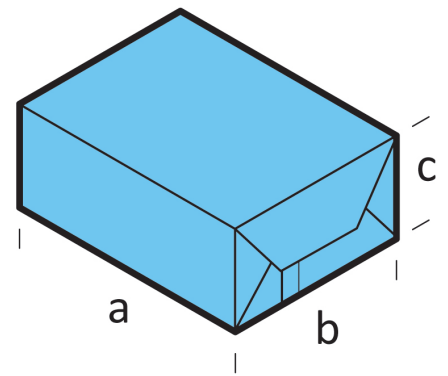


# Evo Series

- Base seal presentation
- Mechanical gripper film pull system
- Large pack size capability



Model	EVO series
Speed	45 overwraps per minute*
'a' pack length	50-305mm
'b' pack width	40-200mm
'c' pack height	15-125mm

\* Maximum for this range, output speed depends on pack size. Other range, speeds and pack size capabilities are available.

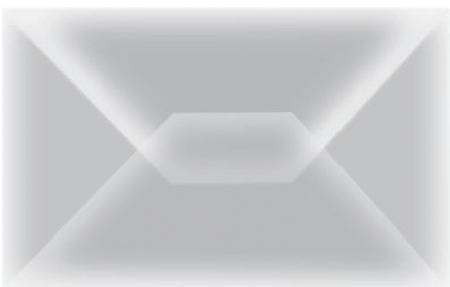
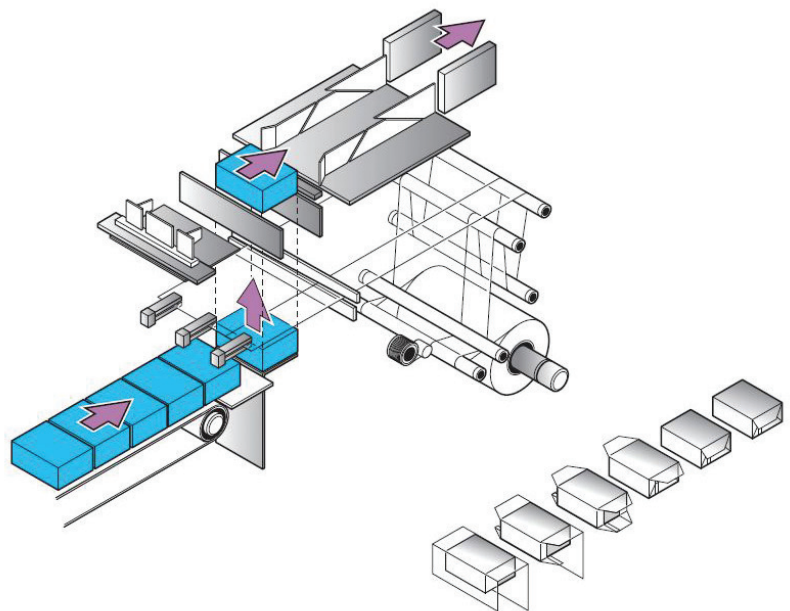
All ME Evo series overwrappers comply with international safety standards, are supplied fully guarded and CE marked.

## Standard fitments include:

- Relay logic control
- Mechanical gripper film pull system
- Simple operation and maintenance
- Large pack size capability
- External side loading film reel

## Optional fitments include:

- Tear tape applicator
- Print registration facility
- Flock finish on pack contact parts
- Profiled end sealer pads
- Cosmetic quality spot or bar on end of seal profiles
- Size changeover via change parts





enhance



protect



secure

Marden Edwards, founded more than 50 years ago, is the world leader in the development, design, manufacture and supply of overwrapping and packaging machinery. Over 10,000 overwrapping systems have been manufactured in our UK factories and supplied into more than 150 countries worldwide.

A complete range of tuck and fold overwrapping machines cover a wide range of applications for a variety of products, formats, and performance. We have a comprehensive worldwide network of trade partners to ensure the permanent availability of expertise and service local to you.



OVERWRAPPING TECHNOLOGY

2 Nimrod Way, East Dorset Trade Park,  
Wimborne, Dorset, BH21 7SH, UK

Tel +44 (0) 1202 861200

Fax +44 (0) 1202 861400

[info@mardenedwards.com](mailto:info@mardenedwards.com)

[www.mardenedwards.com](http://www.mardenedwards.com)

Connect with us

