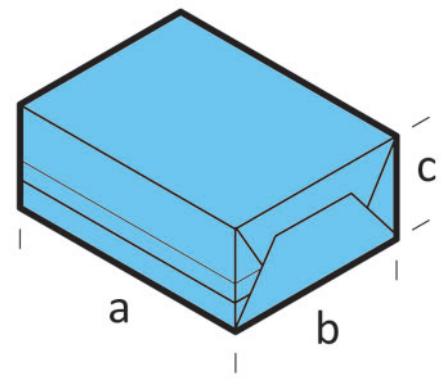


TML Series

- Trailing edge seal presentation
- Large pack size capability
- Simple & fast pack size changeover



Model	TML series
Speed	40 overwraps per minute*
'a' pack length	45-300mm
'b' pack width	37-200mm
'c' pack height	20-100mm

* Maximum for this range, output speed depends on pack size. Other range, speeds and pack size capabilities are available.

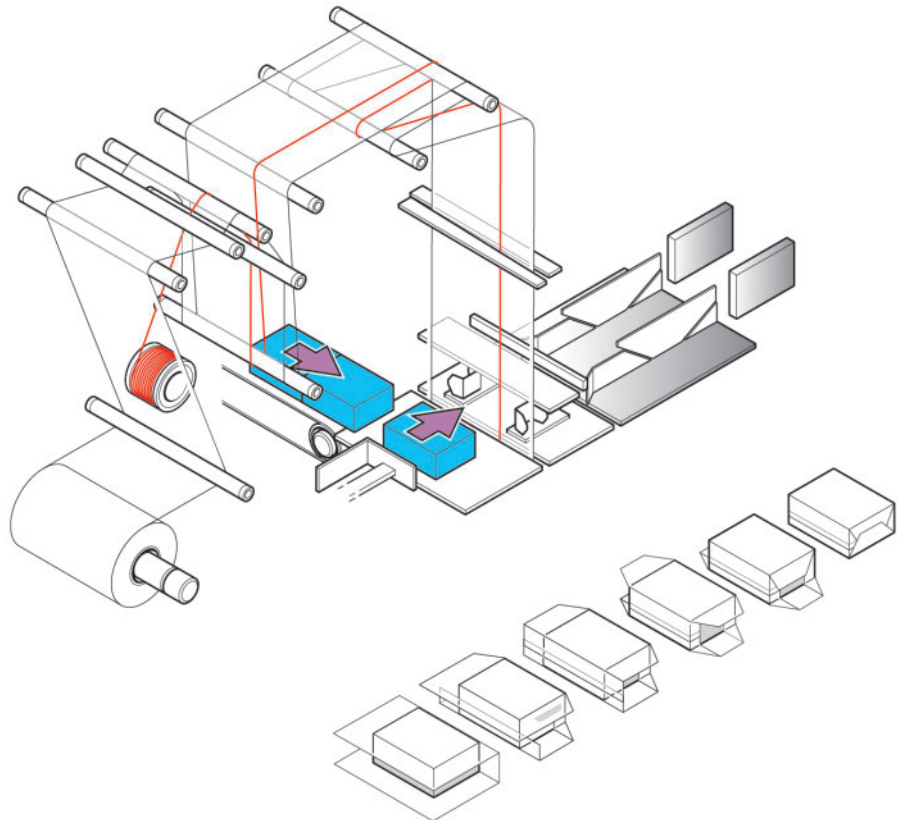
All ME TML series overwrappers comply with international safety standards, are supplied fully guarded and CE marked.

Standard fitments include:

- Beckhoff PLC & HMI
- Simple operation and maintenance
- External side loading film reel
- Simple and fast pack size changeover
- Individual pack transportation through folding deck and end sealers

Optional fitments include:

- Tear tape applicator
- Print registration facility
- Film slitter facility
- Flock finish on pack contact parts
- Cosmetic quality spot or bar end seal profiles
- Paper and film material options



Optional cosmetic quality spot seal





enhance



protect



secure

Marden Edwards, founded more than 50 years ago, is the world leader in the development, design, manufacture and supply of overwrapping and packaging machinery. Over 10,000 overwrapping systems have been manufactured in our UK factories and supplied into more than 150 countries worldwide.

A complete range of tuck and fold overwrapping machines cover a wide range of applications for a variety of products, formats, and performance. We have a comprehensive worldwide network of trade partners to ensure the permanent availability of expertise and service local to you.



OVERWRAPPING TECHNOLOGY

2 Nimrod Way, East Dorset Trade Park,
Wimborne, Dorset, BH21 7SH, UK

Tel +44 (0) 1202 861200

Fax +44 (0) 1202 861400

info@mardenedwards.com

www.mardenedwards.com

Connect with us

