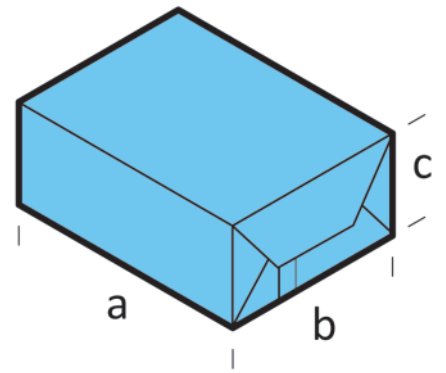


# ME I20B Series

- Base seal presentation
- Side feed vacuum film transfer
- Large pack size capability with quick change parts
- Multi axis servo motor drives



Model	ME I20B series
Speed	120 overwraps per minute*
'a' pack length	50-330mm
'b' pack width	28-190mm
'c' pack height	10-110mm

\* Maximum for this range, output speed depends on pack size. Other range, speeds and pack size capabilities are available.

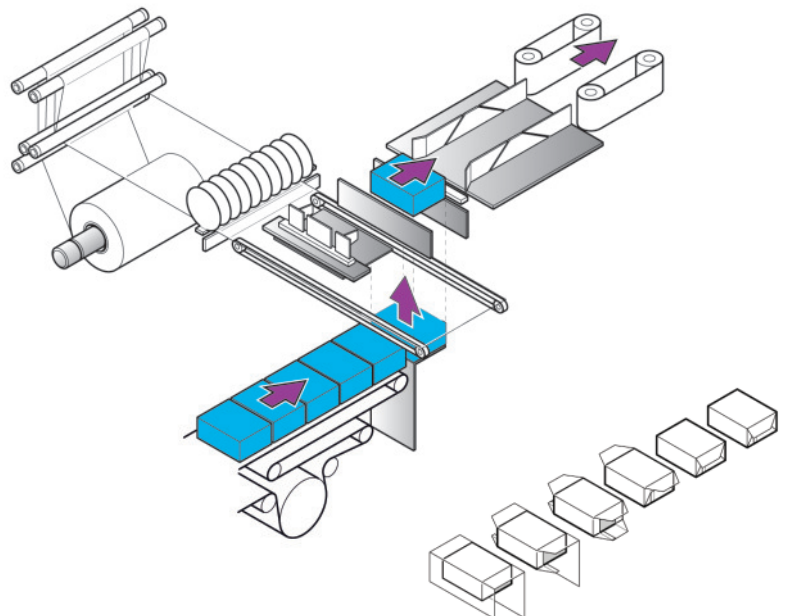
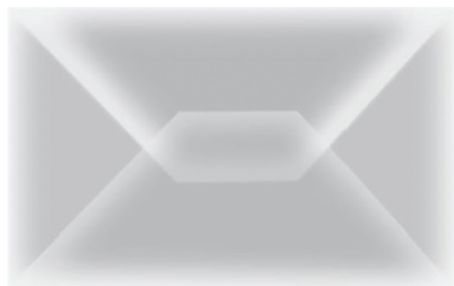
All ME I20B series overwrappers comply with international safety standards, are supplied fully guarded and CE marked.

## Standard fitments include:

- Siemens SIMOTION or Allen Bradley PLC control system
- Multi axis servo motor drives
- External side loading film reel, expanding mandrel type
- Rapid pack size change
- Side feed vacuum film transfer
- Rotary knife

## Optional fitments include:

- Tear tape applicator
- Print registration facility
- Overhead individual pack transportation through folding deck and end sealers
- Band end sealers
- Outfeed conveyor options
- Micro adjustable change parts
- Paper/film options
- Heat sealable film and paper
- Glue system for plain Kraft paper





enhance



protect



secure

Marden Edwards, founded more than 50 years ago, is the world leader in the development, design, manufacture and supply of overwrapping and packaging machinery. Over 10,000 overwrapping systems have been manufactured in our UK factories and supplied into more than 150 countries worldwide.

A complete range of tuck and fold overwrapping machines cover a wide range of applications for a variety of products, formats, and performance. We have a comprehensive worldwide network of trade partners to ensure the permanent availability of expertise and service local to you.



OVERWRAPPING TECHNOLOGY

2 Nimrod Way, East Dorset Trade Park,  
Wimborne, Dorset, BH21 7SH, UK

Tel +44 (0) 1202 861200

Fax +44 (0) 1202 861400

[info@mardenedwards.com](mailto:info@mardenedwards.com)

[www.mardenedwards.com](http://www.mardenedwards.com)

Connect with us

