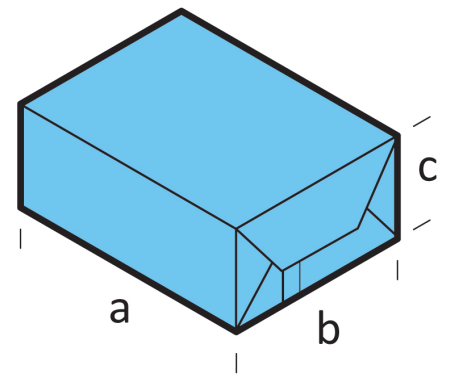


# LX Series

- Base seal presentation
- Mechanical gripper film pull system
- Large pack size capability with quick change parts



Model	LX series	LX series wide	LXH series
Speed	70 overwraps per minute*	40 overwraps per minute*	90 overwraps per minute*
'a' pack length	50-305mm	50-450mm	50-305mm
'b' pack width	25-250mm	55-300mm	25-150mm
'c' pack height	10-150mm	10-150mm	10-70mm

\* Maximum for this range, output speed depends on pack size. Other range, speeds and pack size capabilities are available.

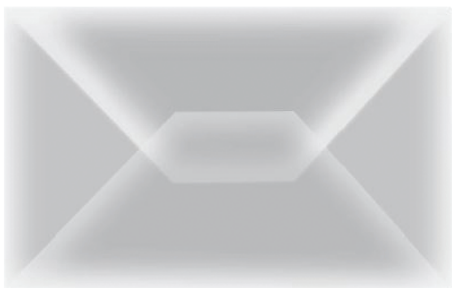
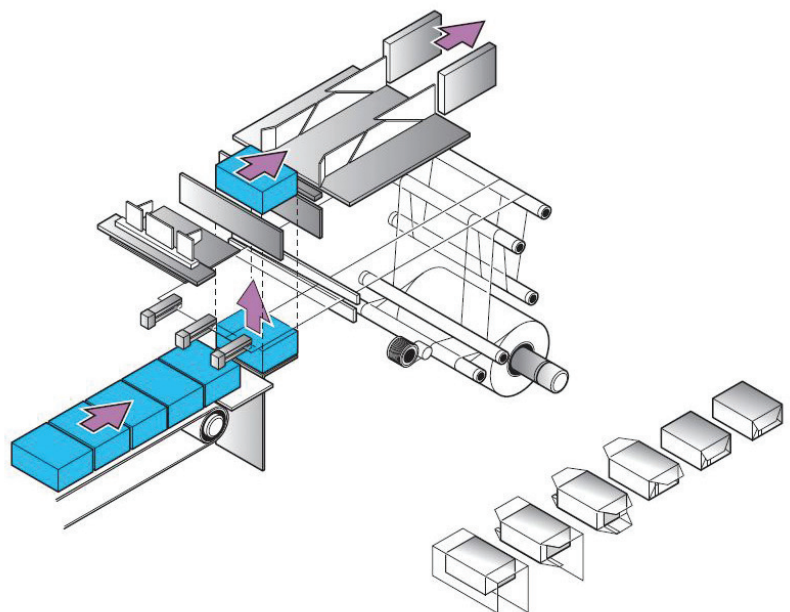
All ME LX series overwrappers comply with international safety standards, are supplied fully guarded and CE marked.

## Standard fitments include:

- Beckhoff PLC & HMI
- Mechanical gripper film pull system
- Simple operation and maintenance
- Large pack size capability
- External side loading film reel, expanding mandrel type
- Splice deck
- Quick release size changeover via change parts

## Optional fitments include:

- Tear tape applicator
- Print registration facility
- Flock finish on pack contact parts
- Profiled end sealer pads
- Cosmetic quality spot or bar on end seal profiles
- Size changeover via change parts
- Allen Bradley or Siemens control system
- Automatic product collator
- Front feed or side feed conveyor
- Twin blade film slitter
- Auto-splice facility





enhance



protect



secure

Marden Edwards, founded more than 50 years ago, is the world leader in the development, design, manufacture and supply of overwrapping and packaging machinery. Over 10,000 overwrapping systems have been manufactured in our UK factories and supplied into more than 150 countries worldwide.

A complete range of tuck and fold overwrapping machines cover a wide range of applications for a variety of products, formats, and performance. We have a comprehensive worldwide network of trade partners to ensure the permanent availability of expertise and service local to you.



OVERWRAPPING TECHNOLOGY

2 Nimrod Way, East Dorset Trade Park,  
Wimborne, Dorset, BH21 7SH, UK

Tel +44 (0) 1202 861200

Fax +44 (0) 1202 861400

[info@mardenedwards.com](mailto:info@mardenedwards.com)

[www.mardenedwards.com](http://www.mardenedwards.com)

Connect with us

